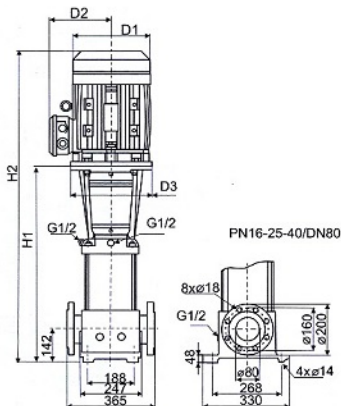


## Vertical Multistage Centrifugal in - line Pump

### Dimensions and weights - PCR 45



### General Specification

Output size:	25 to 125 mm
Capacity:	0.7-180 m <sup>3</sup> /hr
Head:	275 m
Operation Temperature:	-15 to +120
Main Connection (1-[v/Hz]):	220-240 V, 50 Hz
Main Connection (3-[v/Hz]):	380-415 V, 50 Hz
Insulation Class:	F
Enclosure Class:	IP 55
Ambient Temperature:	50°C

Pump type	Motor		PCR						
			Pump Flanges (mm)	Dimension(mm)				Net weight (kg)	
	P [kW]	rpm		DIN flange	H1	H2	D1	D2	D3
PCR 45-1-1	3	2900	80	561	877	197	147	280	91.7
PCR 45-1	4			561	887	220	161	280	95.1
PCR 45-2-2	5.5			641	1003	235	197	300	118.3
PCR 45-2	7.5			641	1039	235	197	300	124.6
PCR 45-3-2	11			831	1336	318	197	350	169.0
PCR 45-3	11			831	1336	318	245	350	169.0
PCR 45-4-2	15			911	1421	318	245	350	182.9
PCR 45-4	15			911	1421	318	245	350	182.9
PCR 45-5-2	18.5			991	1541	318	245	350	211.6
PCR 45-5	18.5			991	1541	318	245	350	211.6
PCR 45-6-2	22			1071	1651	358	245	350	258.1
PCR 45-6	22			1071	1651	358	265	350	258.1
PCR 45-7-2	30			1151	1811	420	295	400	326.4
PCR 45-7	30			1151	1811	420	295	400	326.5
PCR 45-8-2	30			1231	1891	420	295	400	330.2
PCR 45-8	30			1231	1891	420	295	400	331.3
PCR 45-9-2	30			1311	1971	420	295	400	334.0
PCR 45-9	37			1311	1971	420	295	400	347.0
PCR 45-10-2	37			1391	2051	420	295	400	350.7
PCR 45-10	37			1391	2051	420	295	400	350.7
PCR 45-11-2	45			1471	2161	470	325	450	412.5
PCR 45-11	45			1471	2161	470	325	450	412.5
PCR 45-12-2	45			1551	2241	470	325	450	416.2
PCR 45-12	45			1551	2241	470	325	450	416.2
PCR 45-13-2	45			1631	2321	470	325	450	419.9